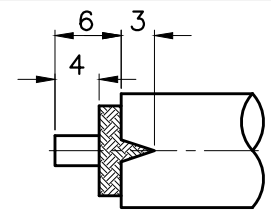
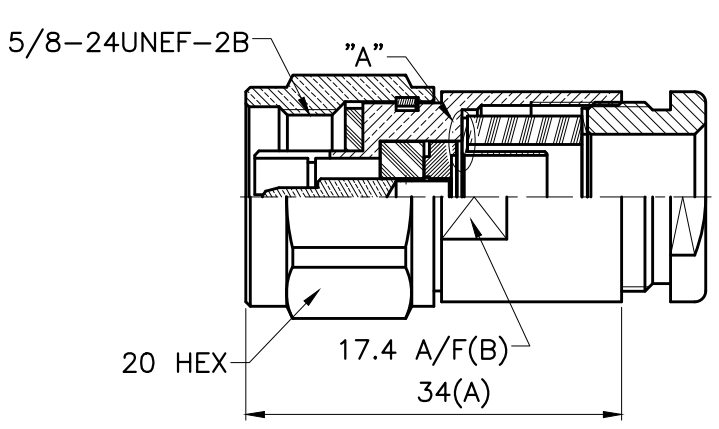


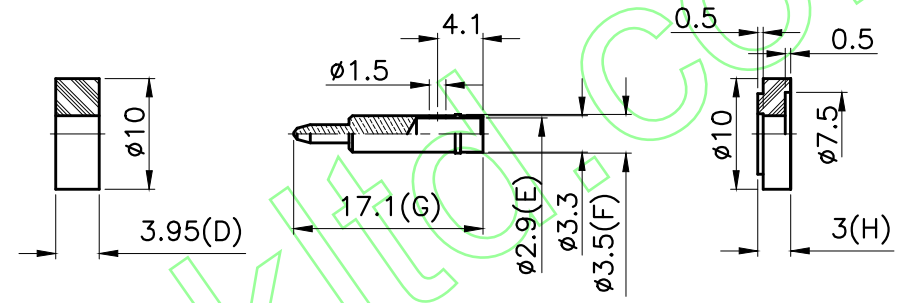
REVISIONS		
ISS	DESCRIPTION	DATE



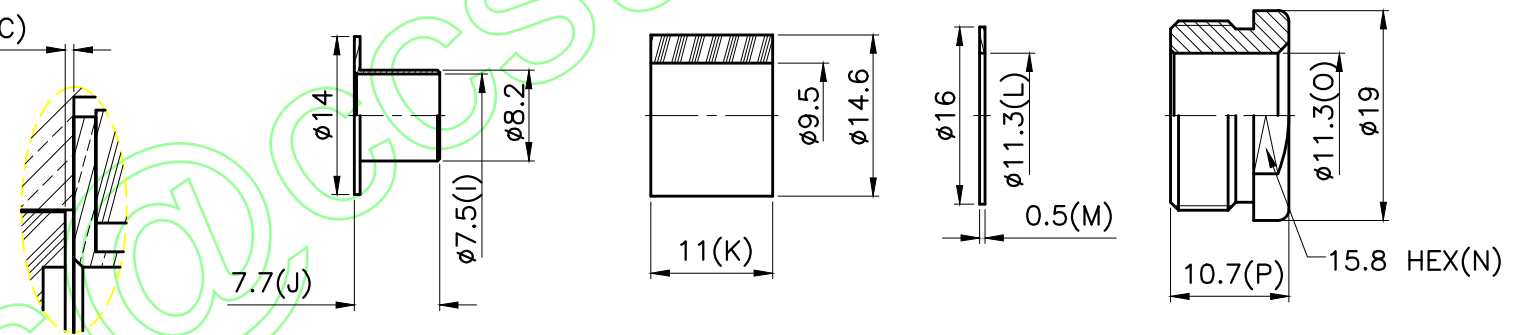
RoHS COMPLIANT



RECOMMENDED
CABLE STRIPPING DIM'S



≥0
鐵弗龍低於主體(C)



A VIEW

TITLE: N MALE CLAMP
(FOR LMR400)

PART NO: NPSCLMR400HEX 030

DRAWING NO:

APRD:

CHKD:

DR:

UNLESS OTHERWISE
SPECIFIED TOLERANCES
0.5-6 = ±0.2
>6-30 = ±0.4
>30-120 = ±0.6
>120-315 = ±1
>315-1000 = ±1.6
ANGLES = ±5°

UNIT: mm

SCALE: 1.5/1

NUT	BRASS	NICKEL
WASHER	BRASS	NICKEL
GASKET	SILICONE	WHITE
TOP HAT	BRASS	NICKEL
INSULATOR	TEFLON	WHITE
CONTACT PIN	BRASS	GOLD
INSULATOR	TEFLON	WHITE
SHELL	BRASS	NICKEL
RING	BRASS	NONE
GASKET	SILICONE	WHITE
BODY	BRASS	NICKEL
NO. DESCRIPTION	MATERIAL	FINISH